

# HiTech

## PLASTICS

MANUFACTURERS OF INDUSTRIAL & MARINE PRODUCTS

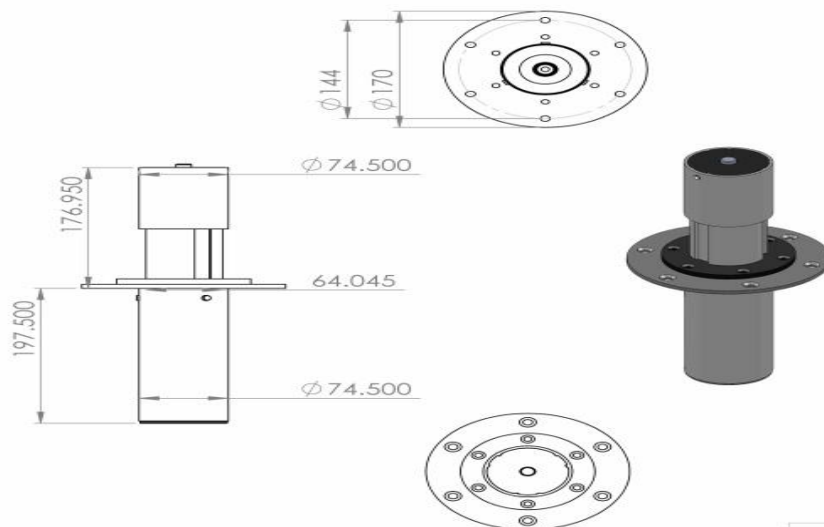
### Inverted Softrider Pedestal Code:SR220

The Inverted Softrider Pedestal has been designed to fit a box or plinth whilst still maintaining the unique Softrider feature. This Inverted Pedestal needs a minimum of 200mm space below the base flange.



#### SPECIFICATIONS

Overall Height:	220mm
Outer Tube Size:	75mm
Inner Tube Size:	65mm
Base Diameter:	170mm
Base Hole PCD:	144mm
Total Travel:	90mm
SR Action Travel:	50mm
Material:	Marine Grade Aluminium
Finish:	Anodised/Powder Coated
Bearing Weight:	120kg (includes chair weight)
Control:	Gas spring
Product Weight:	2kg



*Hi Tech Plastics has the expertise to custom design & build products to specific requirements.*

**Hi Tech Plastics 2002 Ltd and Marine Tech Industries**

**10 Clow Place, PO Box 5303, Frankton, Hamilton 3242, New Zealand**

**Phone: +64 7 843 3343 Fax: +64 7 843 3346 email: [sales@hitechplastics.co.nz](mailto:sales@hitechplastics.co.nz) [www.hitechplastics.co.nz](http://www.hitechplastics.co.nz), and [mti.co.nz](http://mti.co.nz)**