

HiTech

PLASTICS

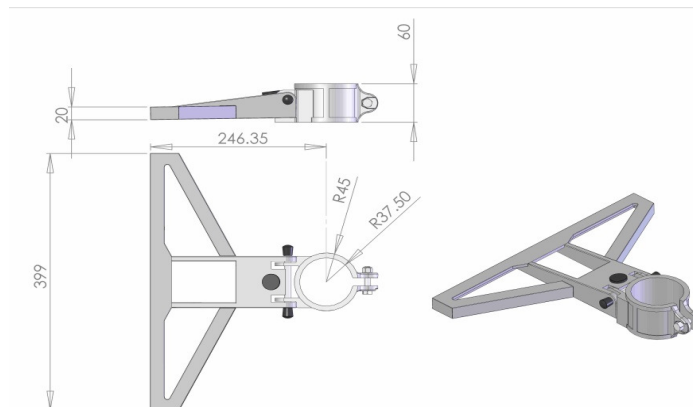
Footrest - FR

The Footrest is suitable for fitment to the Softrider and Fixed Pedstal range. The Footrest is spring loaded and rests vertically against the pedestal when not in use.



SPECIFICATIONS

Extends in Front:	250mm
Foldup Height:	220mm
Material:	Marine Grade Aluminium
Finish:	Powder Coated
Options:	Fits up to 76mm tube
Product Weight:	2kg



This Footrest is Spring loaded & folds up against pedestal

Hi Tech Plastics has the expertise to custom design & build products to specific requirements.

Hi Tech Plastics 2002 Ltd

10 Clow Place, PO Box 5303, Frankton, Hamilton 3242, New Zealand

Phone: +64 7 843 3343 Fax: +64 7 843 3346 email: sales@hitechplastics.co.nz www.hitechplastics.co.nz