

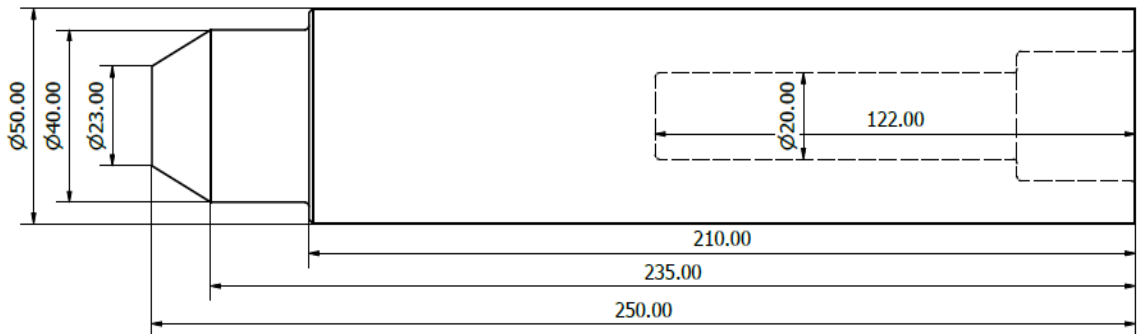
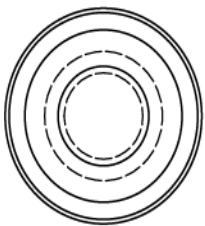
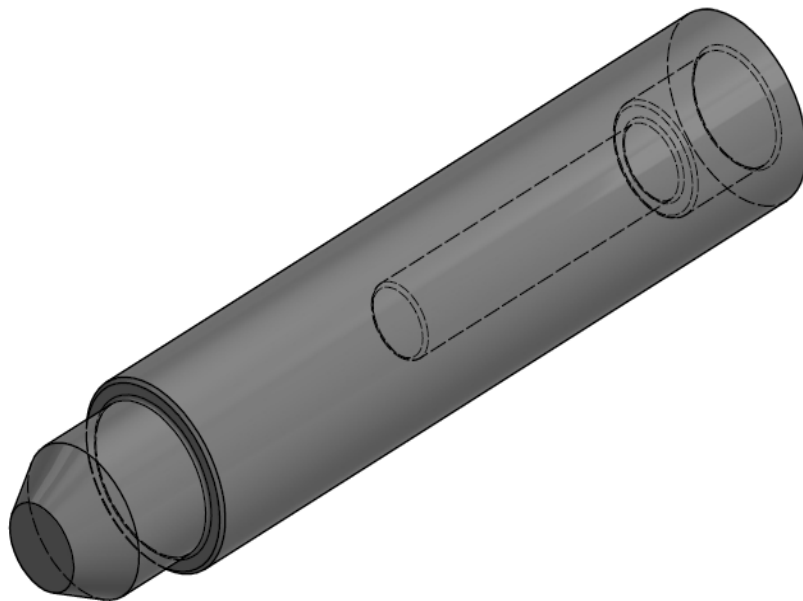
HiTech PLASTICS

MANUFACTURERS OF INDUSTRIAL & MARINE PRODUCTS

Hi Tech Plastics OUTBOARD MOTOR BRACKET

CODE: SUPPORT-01

YAMAHA/HONDA OUTBOARD MOTOR BRACKET



SPECIFICATIONS:

LENGHT: 250MM

DIAMETER: 50MM

FRAME: HDPE POLYETHELENE

Hi Tech Plastics has the expertise to custom design & build products to specific requirements.

Hi Tech Plastics 2002 Ltd

10 Clow Place, PO Box 5303, Frankton, Hamilton 3242, New Zealand

Phone: +64 7 843 3343 Fax: +64 7 843 3346 email: sales@hitechplastics.co.nz

www.hitechplastics.co.nz,