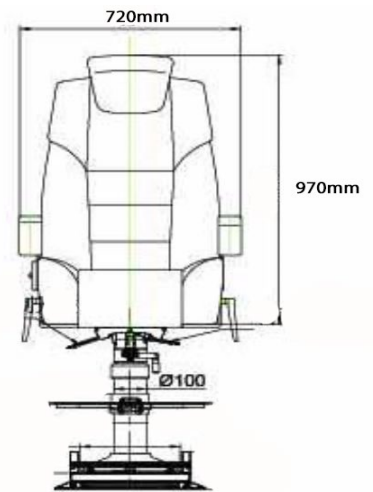
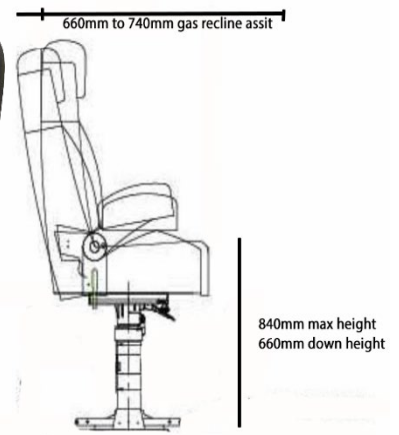


# HiTech PLASTICS

MANUFACTURERS OF INDUSTRIAL & MARINE PRODUCTS

## Hi Tech Plastics HELMSMAN COMMANDER CODE: HELMCOM

The all new Hi Tech Helmsman Commander Seat is now part of our extensive seating range. This modern helm chair is the pinnacle of Helm Seats. Available in luxury hard wearing vinyl trim (retrim on request) Aluminium frame, lift up locking Arm rests, gas assist recline, super heavy duty gas spring pedestal, fore and aft slider, Heavy duty cast Stainless steel swivel with positive lock device. Powder coated Fold down clamp on footrest. Optional floor slide available.



### **SPECIFICATIONS:**

**HEIGHT:** 840mm-660mm to seating height on pedestal

970mm from underside of seat to top of headrest ( when headrest at lowest height, 50mm height adjustment)

**DEPTH:** 660mm-740mm including gas recline

**WIDTH:** 720mm out side of arm rests

**PEDESTAL:** Heavy duty gas spring pedestal with suspension, fore and aft slider, positive swivel locking device, Heavy Duty Stainless steel Swivel with clamp lock.

**FRAME:** Aluminium

**OPTIONAL:** Steel clamp on footrest, floor slide system POA

**UPHOLSTERY:** Vinyl

Professional yacht seat fabric PVC Vinyl, UV resistant tested to 650 hours. Mildew resistant and flame retardant, suitable in open sea. Vinyl is tested to achieve 650 hours. One-year warranty after delivery applies, so long as seat is not artificially damaged.

*Hi Tech Plastics has the expertise to custom design & build products to specific requirements.*