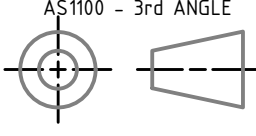
	Hi Tech Plastics 2002 Ltd 10 Clow Place Frankton Hamilton Ph: 07 843 3343 Email: info@hitechplastics.co.nz www.hitechplastics.co.nz	AS1100 - 3rd ANGLE 	MASS: 4.5 kg
		SCALE:	PART No: GUARD02
DESIGNED BY: Bevan Mills	SHEET: 1 / 1	DESCRIPTION: 14" Mud Guard	DRG NUMBER: Guard02

A3