

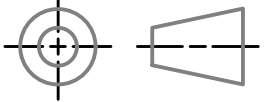
PROPRIETARY AND CONFIDENTIAL
 THE INFORMATION IN THIS DRAWING IS THE SOLE PROPERTY OF
 Hi Tech Plastics (2002) Limited. ANY REPRODUCTION IN PART
 OR AS A WHOLE WITHOUT PERMISSOIN OF Hi Tech Plastics
 (2002) Limited IS PROHIBITED.



Hi Tech Plastics 2002 Ltd
 10 Clow Place
 Frankton
 Hamilton
 Ph: 07 843 3343
 Email:
info@hitechplastics.co.nz
www.hitechplastics.co.nz

DESIGNED BY:
 Bevan Mills

AS1100 - 3rd ANGLE



SCALE:
 SHEET: 1 / 1

MASS:	10.3 kg
PART No:	EDBL1420
DESCRIPTION:	Front Load Bin Lid 1420
DRG NUMBER:	EDBL1420

A3