

1 2 3 4 5 6

A

A

B

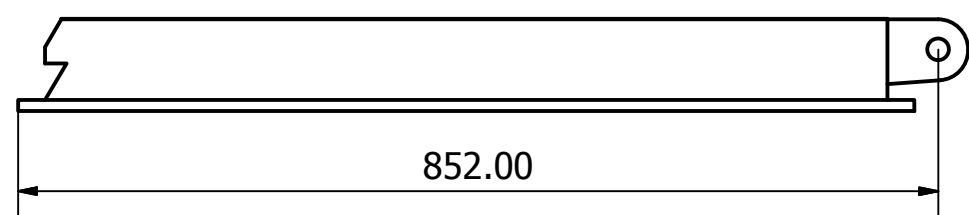
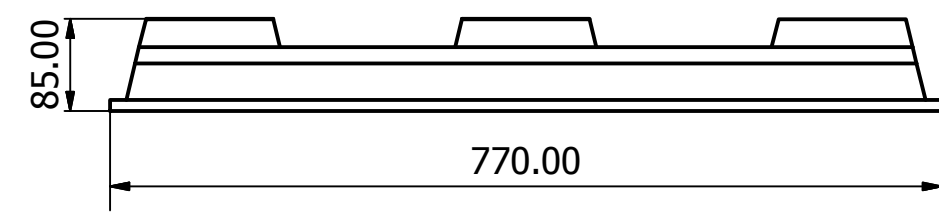
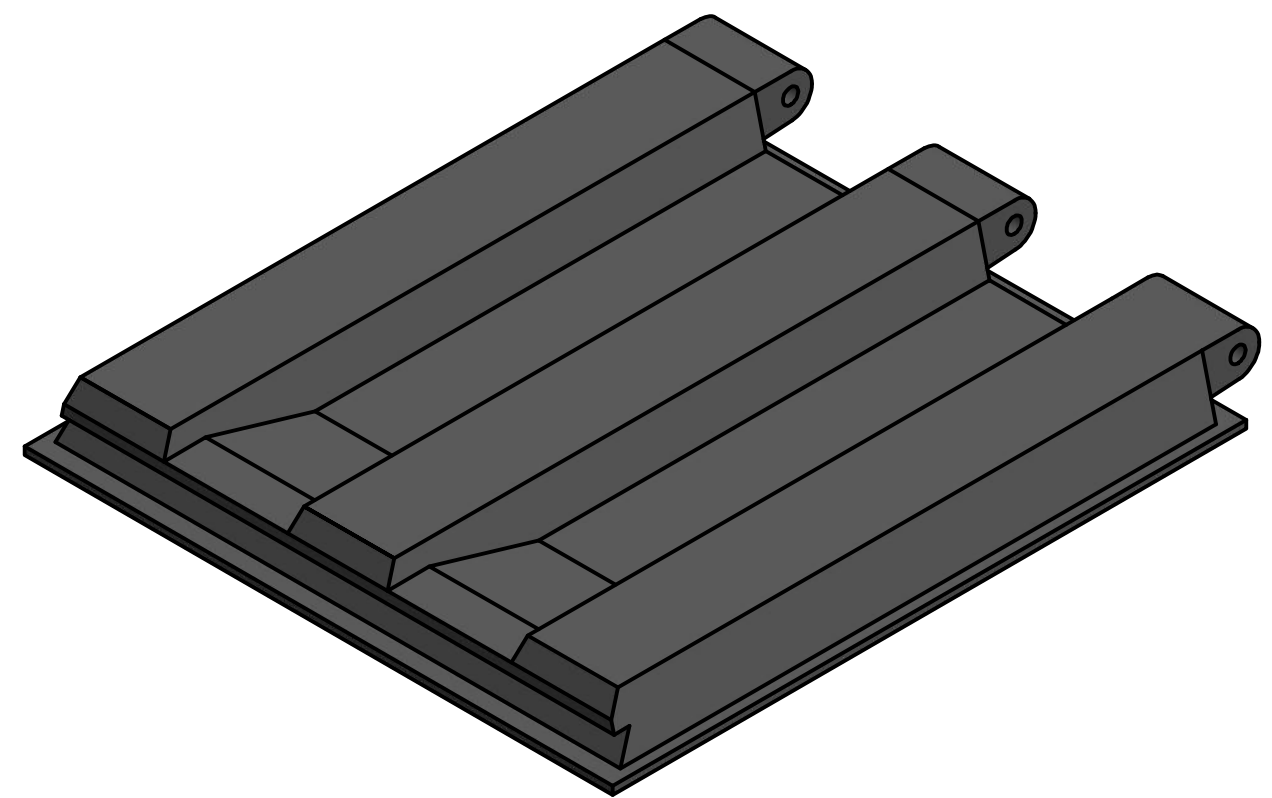
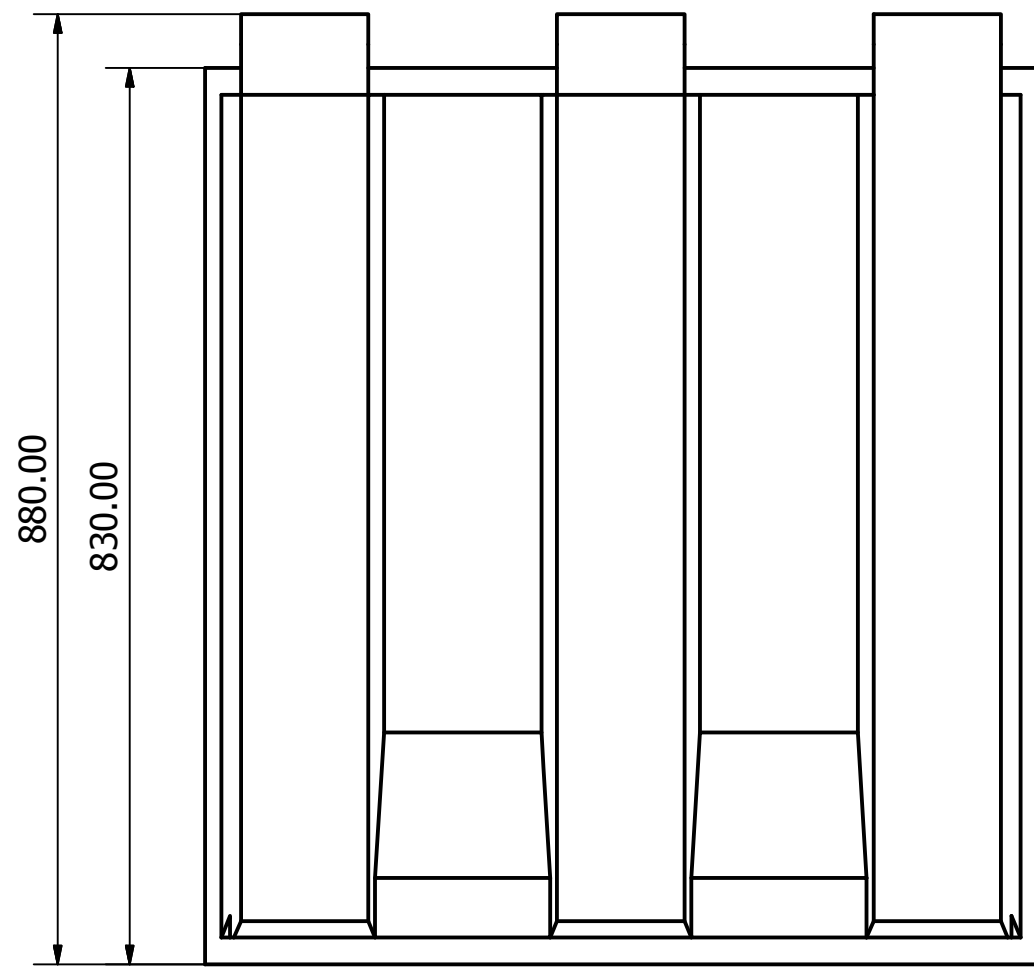
B

C

C

D

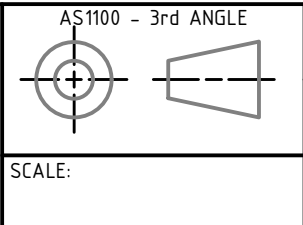
D



**PROPRIETARY AND CONFIDENTIAL**  
 THE INFORMATION IN THIS DRAWING IS THE SOLE PROPERTY OF  
 Hi Tech Plastics (2002) Limited. ANY REPRODUCTION IN PART  
 OR AS A WHOLE WITHOUT PERMISSOIN OF Hi Tech Plastics  
 (2002) Limited IS PROHIBITED.



Hi Tech Plastics 2002 Ltd  
 10 Clow Place  
 Frankton  
 Hamilton  
 Ph: 07 843 3343  
 Email:  
[info@hitechplastics.co.nz](mailto:info@hitechplastics.co.nz)  
[www.hitechplastics.co.nz](http://www.hitechplastics.co.nz)



MASS:	4.1 kg
PART No:	EDBL01
DESCRIPTION:	1.0 FEL Bin Lid
DRG NUMBER:	386

DESIGNED BY:  
 Bevan Mills

SHEET:  
 1 / 1

A3

1 2 3 4 5 6