

HiTech

PLASTICS

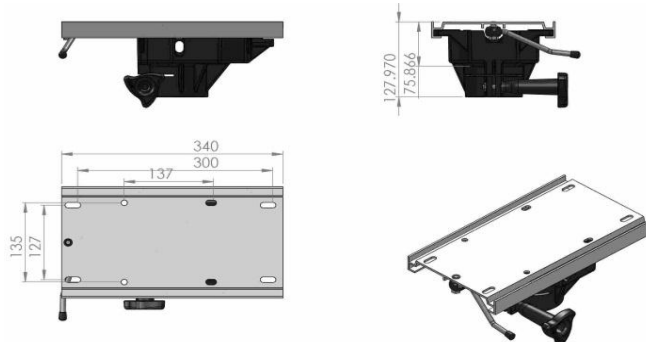
Powerslider – PSC

The Powerslider can be fitted to the ProWave range of Fixed Pedestals which allows gas strut assisted forward and aft adjustments.



SPECIFICATIONS

Height:	130mm
Length:	340mm
Width:	190mm
Travel:	100mm
Actuate:	Gas Spring
Material:	Aluminium/GF Nylon
Finish:	Anodised/Black Composite
Product Weight:	2.14kg



Hi Tech Plastics has the expertise to custom design & build products to specific requirements.

Hi Tech Plastics 2002 Ltd

10 Clow Place, PO Box 5303, Frankton, Hamilton 3242, New Zealand

Phone: +64 7 843 3343 Fax: +64 7 843 3346 email: sales@hitechplastics.co.nz www.hitechplastics.co.nz