

HiTech

PLASTICS

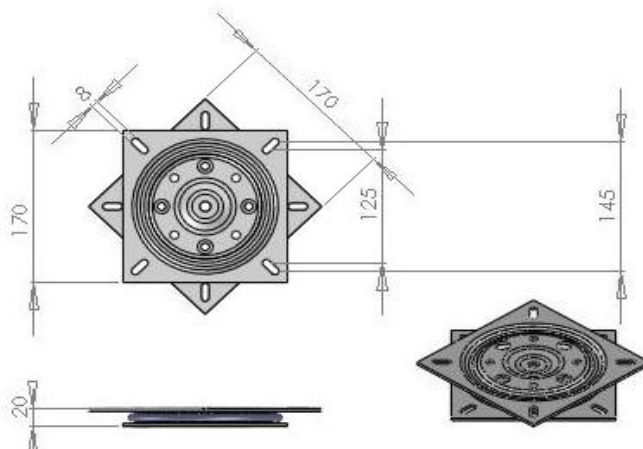
Low Level Swivel - SW01

The Low Level Swivel can be secured to a fibreglass or aluminium box type pedestal. The swivel is a friction swivel only and is manufactured from high tensile aluminium plate.



SPECIFICATIONS

Height:	20mm
Width:	175mm
Length:	175mm
Material:	High Tensile Aluminium
Finish:	Mill natural
Product Weight:	0.53kg



Hi Tech Plastics has the expertise to custom design & build products to specific requirements.

Hi Tech Plastics 2002 Ltd

10 Clow Place, PO Box 5303, Frankton, Hamilton 3242, New Zealand

Phone: +64 7 843 3343 Fax: +64 7 843 3346 email: sales@hitechplastics.co.nz www.hitechplastics.co.nz,